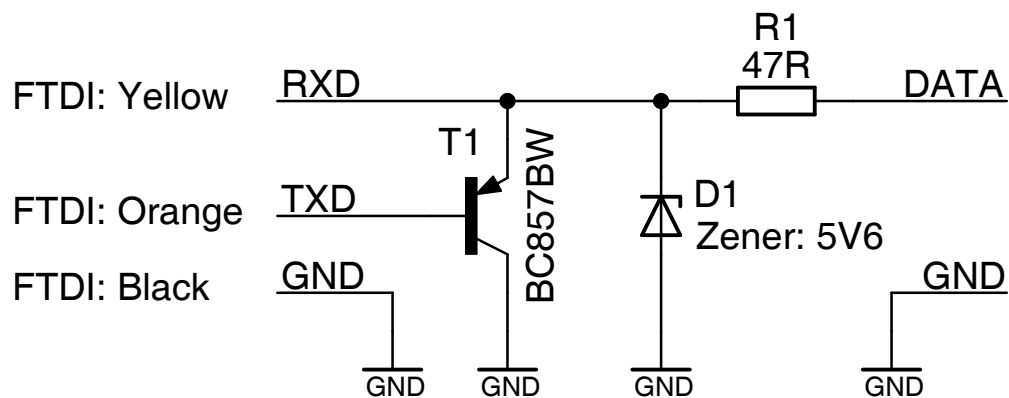


HP8480 serial data interface

2018-09-25\KT



Note: Only T1 needed
Remaining parts only for ESD protection.